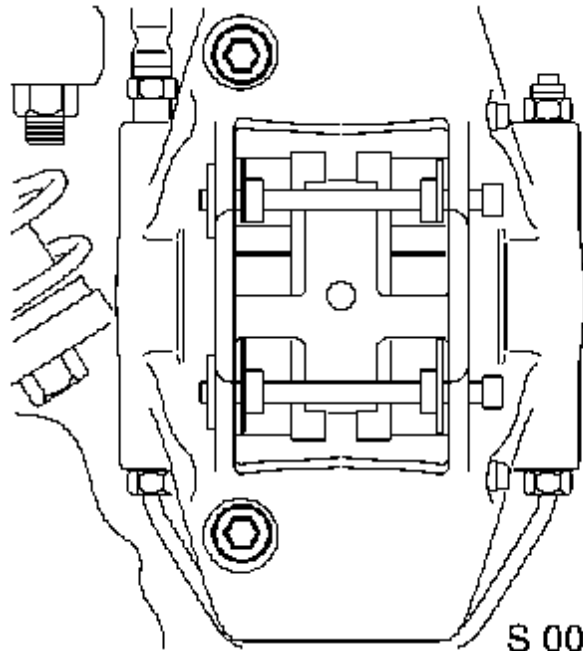


Steering Arm, Replace

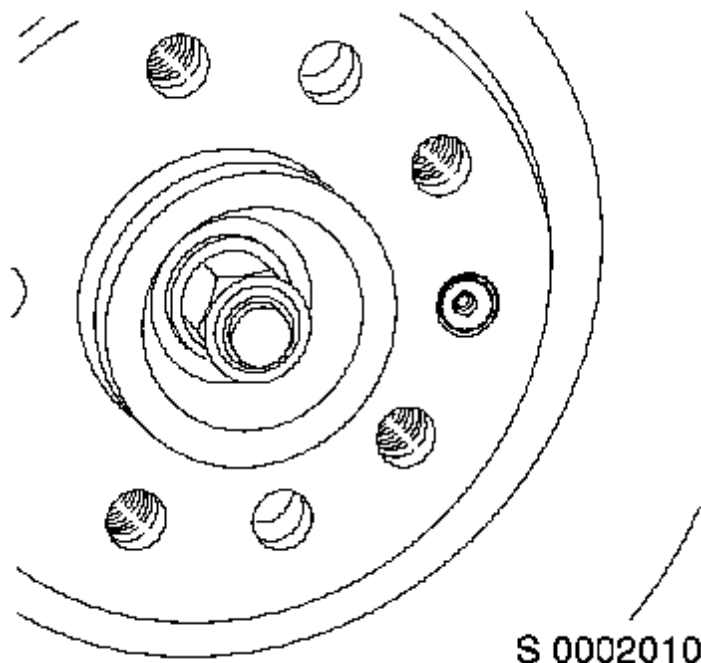


Remove

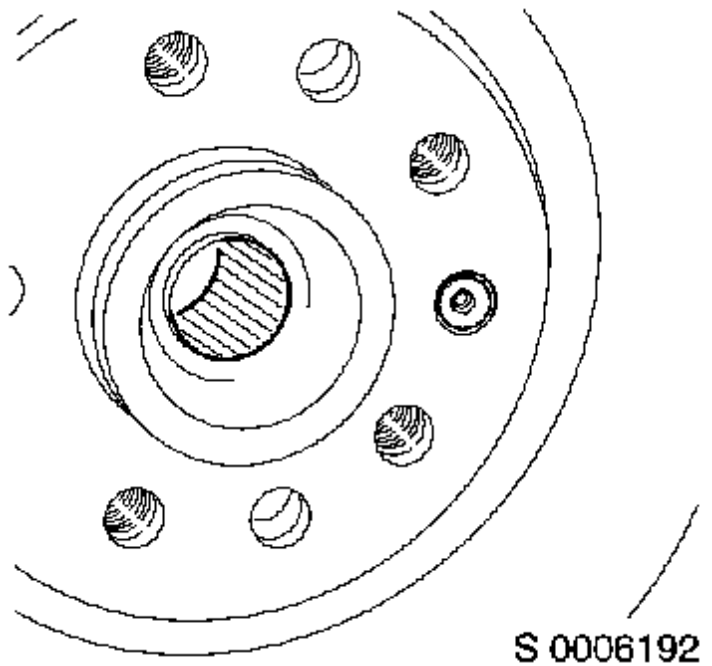
1. Chock both rear road wheels
2. Raise and support vehicle
3. Remove front road wheel
 - Remove 4x bolt, remove security bolt
 - Use special socket located under front bonnet
4. Remove brake caliper assembly from hub carrier
 - Remove 2x bolt



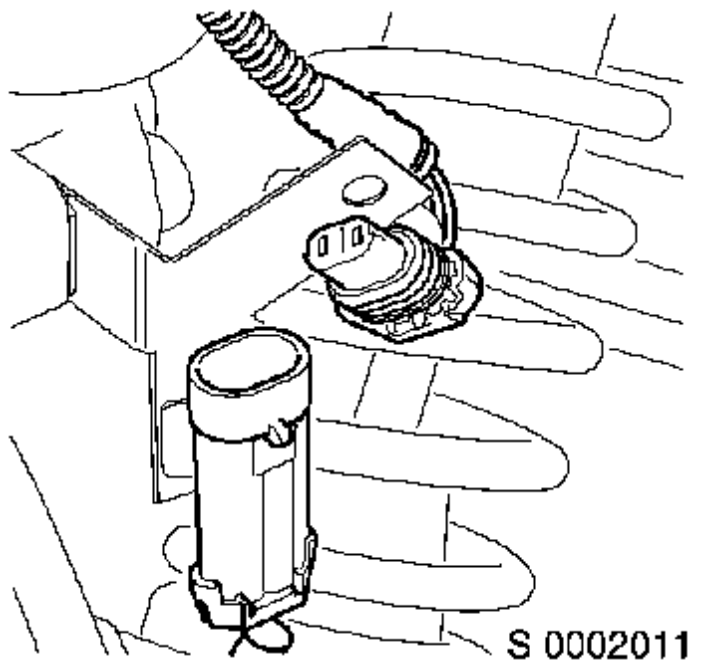
5. For earlier type wheel hub, remove brake disc
 - Remove screw



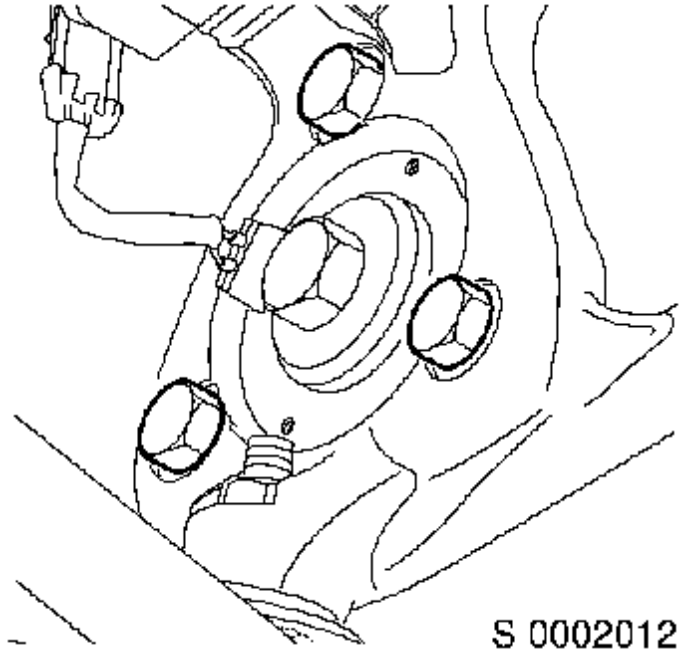
6. For later type wheel hub, remove brake disc
- Remove screw



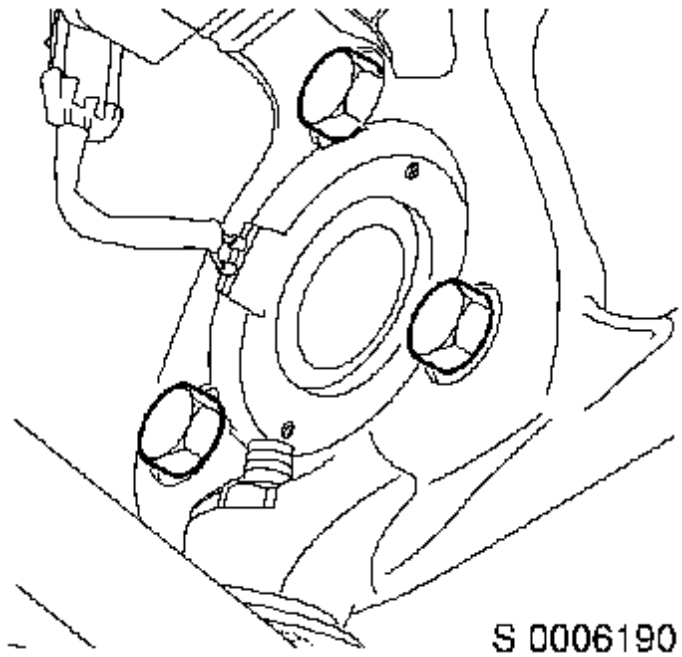
7. Release harness connector from wheel speed sensor
- Release clip



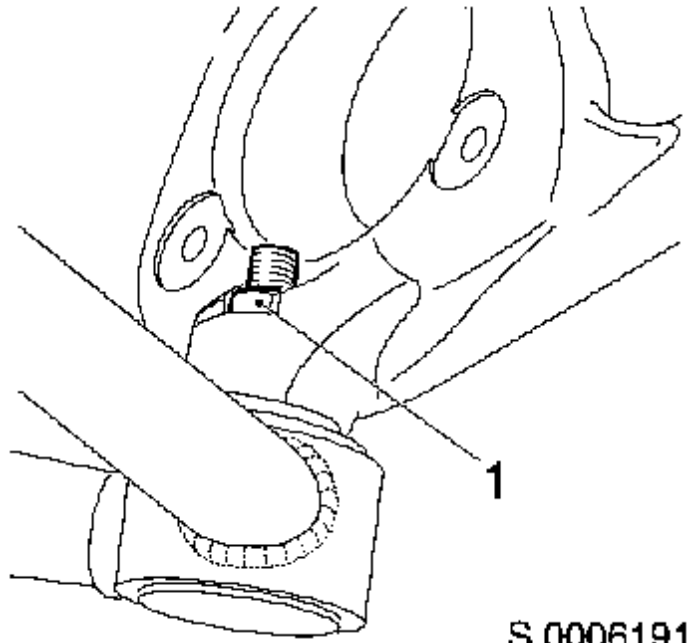
8. For earlier type wheel hub assembly, remove from hub carrier
- Remove centre bolt, 4x washer, nut
 - Remove 3x bolt, 3x washer



9. For later type wheel hub assembly, remove from hub carrier
- Remove 3x bolt, 3x washer

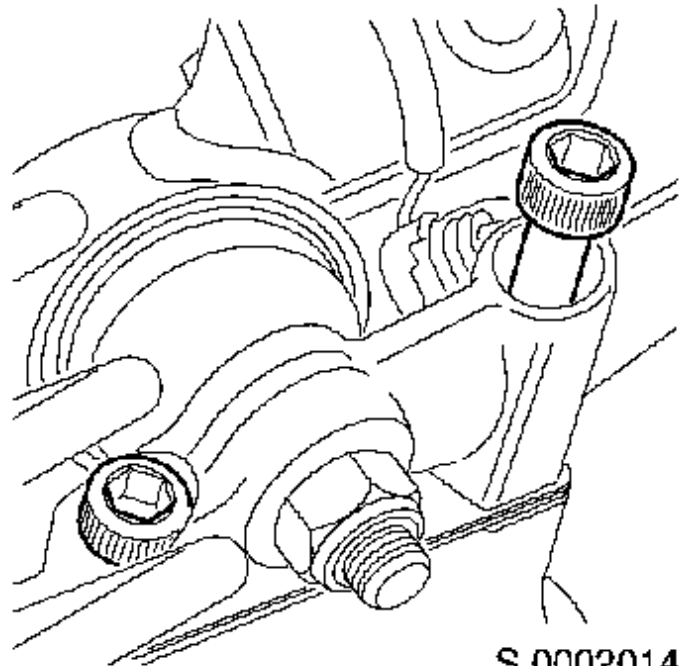
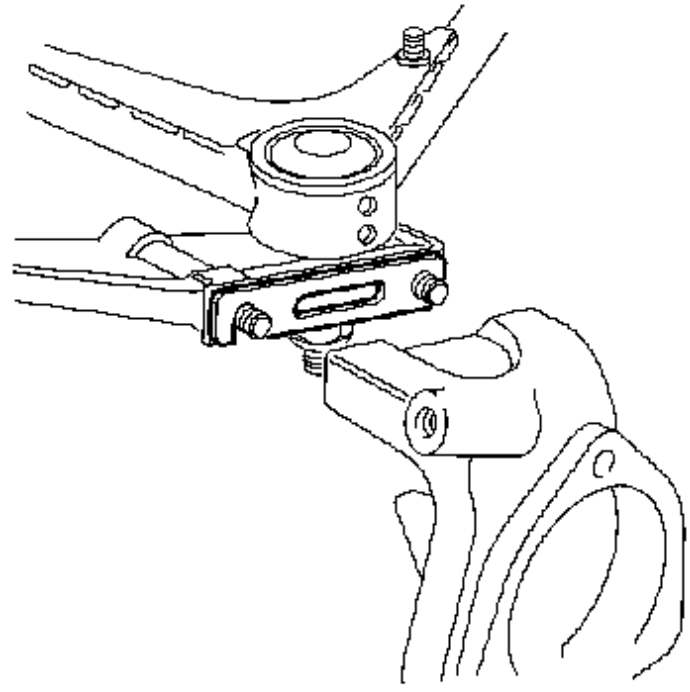


10. Release lower wishbone from hub carrier
- Remove nut (1)



S 0006191

11. Remove hub carrier and shims
 - Remove 2x bolt



S 0002014

**Install**

12. Install hub carrier and shims
 - Install 2x bolt **45 Nm**
Note: Clean threads and apply locking compound.
13. Secure lower wishbone to hub carrier
 - Install new nut **45 Nm**
14. Install wheel hub assembly to hub carrier
 - Install 3x washer, 3x bolt **77 Nm**
15. For earlier type wheel hub, install centre bolt, 4x washer, nut **45 Nm**
16. Secure harness connector to wheel speed sensor

- Secure clip
17. Install brake disc to wheel hub
 - Install screw
 18. Install brake caliper assembly to hub carrier
 - Install 2x bolt **45 Nm**
Note: Clean threads and apply locking compound.
 19. Install front road wheel
 - Install 4x bolt, install security bolt **90 Nm**
 20. Raise vehicle and remove support
 21. Lower vehicle
 22. Remove chocks from both rear road wheels